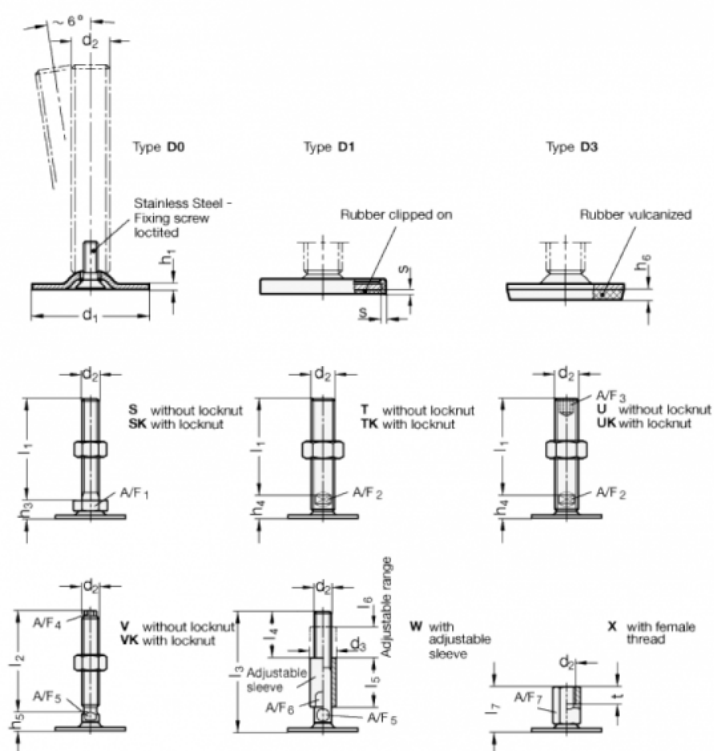


Article number: 204180M16200D3T  
 Description: E+G levelling foot  
 GN 41-80-M16-200-D3-T  
 Note: T Without nut, Wrench flat at the bottom

## Measures



A/F2 = 12  
 $d_1$  = 80  
 $d_2$  = M16  
 $h_1$  = 3  
 $h_4$  = 18  
 $h_6$  = 5  
 $h_1$  = 200  
 $s$  =